

SF₆ service equipment

For filling, cleaning and recovery of SF₆ gas

Model GPU-B-2000

Applications

Filling, cleaning, recovery, evacuation and venting of SF₆ gas-filled switchgear, linear accelerators and other SF₆ gas-filled equipment

Special features

- Oil-less compressor and vacuum compressor
- Option for on-site gas filtration to the desired humidity
- Low maintenance effort



SF₆ service equipment with 300-litre tank

Description

The right equipment for each application - The GPU platform

The gas-handling equipments of the GPU platform enable the complete process from initial filling to processing to be carried out safely and intuitively.

The platform is available in 4 versions.

- Model GPU-B-2000
SF₆ service equipment in fully automated basic version
- Model GPU-S-2000
SF₆ service equipment with additional SIL2 safety control
- Model GPU-B-3000
SF₆ service equipment at the highest performance level
- Model GPU-S-3000
SF₆ service equipment with additional SIL2 safety control and the highest performance level

High standards and quality – model series B

Like the entire product range, the fully automated basic model offers high-performance components and an optimum design. The products have a USB port and an Ethernet port for remote maintenance. The 10" IntelliTouch touchscreen promises a comfortable and intuitive handling.

All models of the GPU platform are optionally available with a filter process that allows the SF₆ gas to be brought to the desired air humidity directly on site.

The SF₆ service equipment is an efficient and reliable solution that exceeds the current IEC standards for handling SF₆ gas. Low downtimes through long service intervals of more than 2,500 hours make them an extremely durable product that is always ready for use.

Specifications

Voltage supply

Voltage supply	
Option 1	AC 360 ... 440 V, 3-phase, 50/60 Hz
Option 2	AC 220 ... 265 V, 3-phase, 50/60 Hz
Option 3	AC 190 ... 230 V, 3-phase, 50/60 Hz

Oil-less compressor (SF₆ gas)

Oil-less compressor (SF ₆ gas)	
Gas flow rate	9.8 m ³ /h (with medium suction pressure)
Output pressure	50 bar abs.

Oil-less vacuum compressor (SF₆ gas)

Oil-less vacuum compressor (SF ₆ gas)		
	Gas flow rate	Final vacuum
Option 1	6 m ³ /h	< 1 mbar abs.
Option 2	10 m ³ /h	< 1 mbar abs.
Option 3	15 m ³ /h	< 1 mbar abs.

Vacuum pump (air)

Vacuum pump (air)		
	Gas flow rate	Final vacuum
Option 1	25 m ³ /h	< 1 mbar abs.
Option 2	40 m ³ /h	< 1 mbar abs.
Option 3	63 m ³ /h	< 1 mbar abs.
Option 4	100 m ³ /h	< 1 mbar abs.

Integrated tank, storage capacity

Integrated tank, storage capacity	
Option 1	without tank
Option 2	300 litres
Option 3	600 litres
Option 4	Stowage for 6 gas cylinders

Integrated gas cylinder scales

Integrated gas cylinder scales	
Option 1	without scales
Option 2	Measuring range 0 ... 136 kg Tare function Accuracy ±30 g

Connections

Connections	
GIS	1 valve DN 20, pressure range 0 ... 10 bar abs.
Gas cylinder	2 valves DN 20, pressure range 0 ... 50 bar abs.

Filter element

Molecular sieve, aluminium oxide, particle filter 1 µm
Max. water absorption: 75 g

Control element

10" touchscreen

Permissible input and output pressure

≤ 10 bar abs.
≤ 50 bar abs. at high-pressure connection

Permissible ambient temperature

Operation: -10 ... 40 °C
Storage: -20 ... + 60 °C

Permissible air humidity

< 95 % r. h. (non-condensing)

Ingress protection

IP42

Weight

approx. 665 kg without tank
approx. 1,000 kg with empty 300-litre tank
approx. 1,300 kg with empty 600-litre tank
approx. 1,050 kg with empty gas cylinder stowage

Tyres

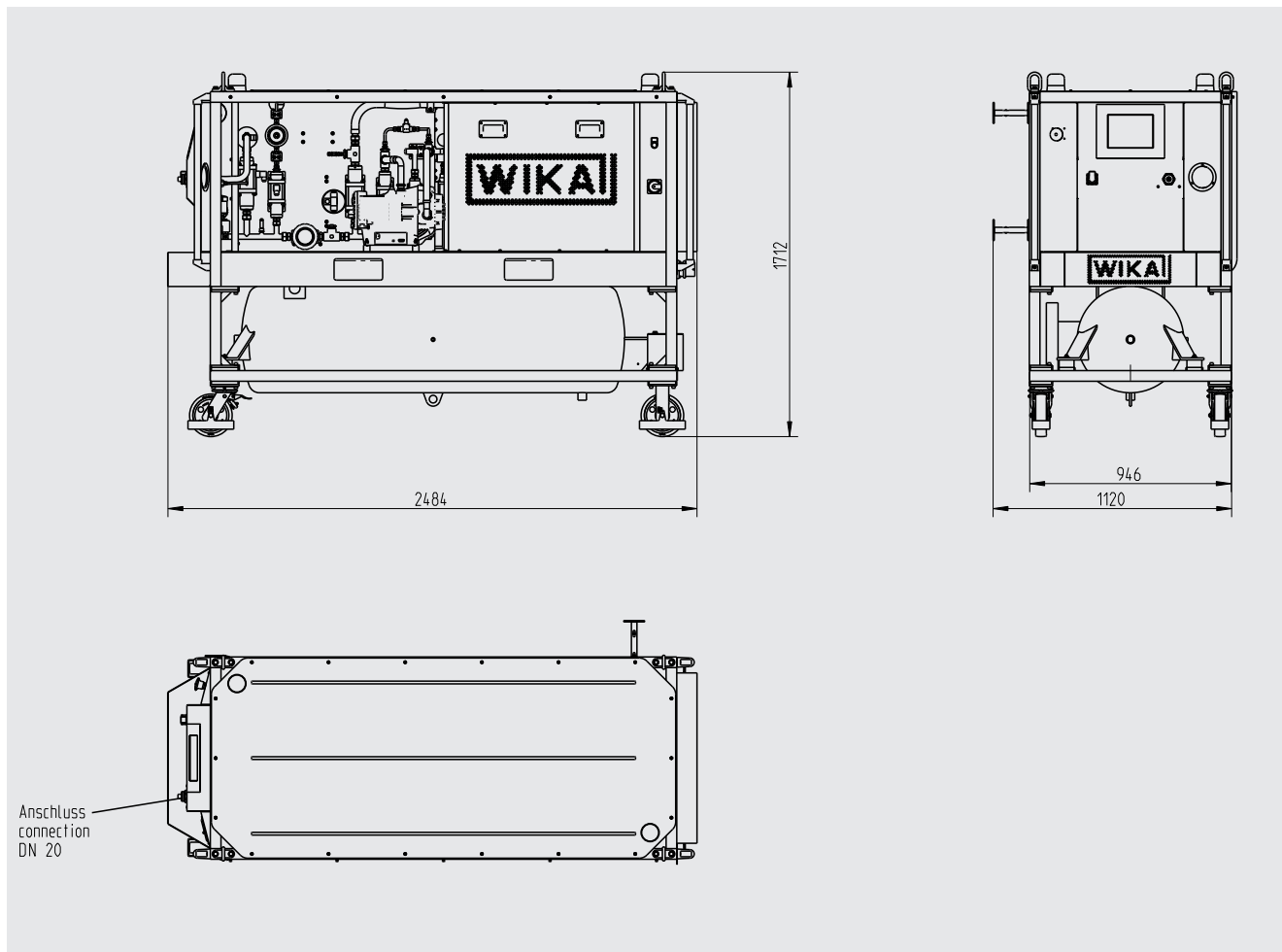
Solid rubber, Ø 200 mm, with rollover protection

Approvals

Logo	Description	Country
CE	EU declaration of conformity ■ EMC directive, EN 61326 emission (group 1, class B) and immunity (industrial application) ■ RoHS directive ■ Machinery directive	European Union

Approvals and certificates, see website

Dimensions in mm



Accessories

Hoses		Order number	
Nominal width	Length	Stainless steel	Rubber
DN 8	3 m	14294449	on request
	5 m	14330878	on request
	10 m	14335098	on request
	15 m	14307929	on request
DN 20	3 m	14290070	on request
	5 m	14307900	on request
	10 m	14327574	on request
	15 m	14307926	on request

Adapter	Order number
DN 8 (male) to DN 20 (female), brass	14096583
DN 8 (female) to DN 20 (male), brass	14284870

Spare parts and service kits	Order number
Oil for vacuum pump, 1 litre	14199926
Filter cartridge for GPF-10	14118800
Filter cartridge for particle filter	14140385
Service kit for compressor (SF ₆ gas)	on request (serial number of the system is required)
Service kit for vacuum compressor (SF ₆ gas)	on request (serial number of the system is required)
Service kit for vacuum pump (air)	on request (serial number of the system is required)
Rain cover GPU-x-x000	14182499
Pavillion with side pieces for outdoor applications	14182512
Trailer	on request

Ordering information

Model / Oil-less vacuum compressor (SF₆ gas) / Vacuum pump (air) / Integrated tank, storage capacity / Accessories

© 05/2018 WIKA Alexander Wiegand SE & Co. KG, all rights reserved.
The specifications given in this document represent the state of engineering at the time of publishing.
We reserve the right to make modifications to the specifications and materials.

