

Bourdon tube pressure gauge

Test gauge series, class 0.6

Models 311.11, 331.11

WIKA data sheet PM 03.02



Applications

- For gaseous and liquid media that are not highly viscous or crystallising
- Model 311.11: Measuring system Cu-alloy
Model 331.11: Measuring system stainless steel, also for aggressive media
- Precision measurement in laboratories
- High-accuracy pressure measurement
- Testing of industrial type pressure gauges

Special features

- Knife edge pointer for optimal accuracy of reading
- Precise movement with wear parts of argentan
- Particularly easy-to-read scale due to nominal size 250
- Scale ranges up to 0 ... 1600 bar



Test gauge series model 311.11

Description

Design

EN 837-1

Nominal size in mm

250

Accuracy class

0.6

Scale ranges

Model 311.11: 0 ... 0.6 to 0 ... 600 bar

Model 331.11: 0 ... 0.6 to 0 ... 1600 bar

or all other equivalent vacuum or combined pressure and vacuum ranges

Adjustment medium

≤ 25 bar: Gas

> 25 bar: Liquid

Pressure limitation

Steady: Full scale value

Fluctuating: 0.9 x full scale value

Short time: 1.3 x full scale value

Permissible temperature

Ambient: -40 ... +60 °C

Medium: +80 °C maximum (model 311.11)

+200 °C maximum (model 331.11)

Temperature effect

When the temperature of the measuring system deviates from the reference temperature (+20 °C):

Max. ±0.4 %/10 K of full scale value

Ingress protection

IP 54 per EN 60529 / IEC 529

Standard version

Process connection

Model 311.11: Cu-alloy
 Model 331.11: Stainless steel
 lower mount (LM) or lower back mount (LBM),
 G ½ B (male), 22 mm flats

Pressure element

Model 311.11:
 < 100 bar: Cu-alloy
 ≥ 100 bar: Stainless steel 316L
 ≥ 1000 bar: Ni-Fe-alloy
 Model 331.11: Stainless steel 316L

Movement

Cu-alloy, wear parts argantan

Dial

Aluminium, white, black lettering

Pointer

Knife edge pointer, aluminium, black

Case

Steel, black

Window

Instrument glass

Bezel ring

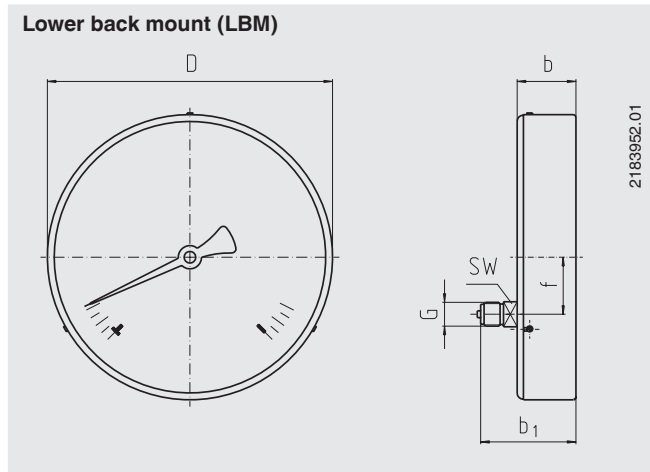
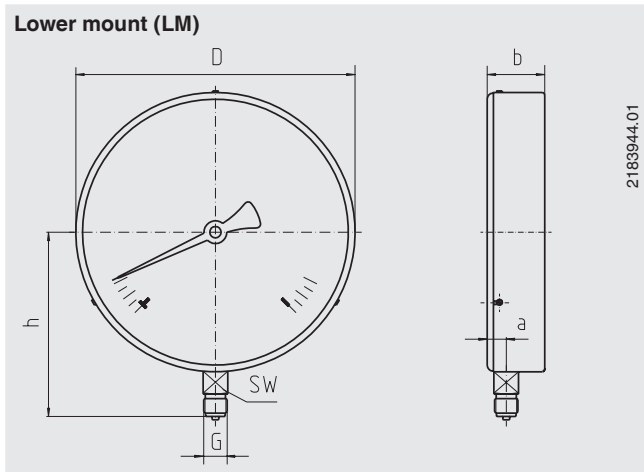
Slip-on bezel, steel, black

Options

- Other process connection
- Window from laminated safety glass or clear non-splintering plastic
- Surface or panel mounting flange, steel, black
- Higher indication accuracy: Class 0.25 per EN 837-1 or Grade 3A per ASME B 40.1 (scale ranges ≥ 1000 bar lower mount only)
- Adjustment medium gas from 25 bar

Dimensions in mm

Standard version



NS	Dimensions in mm								Weight in kg
	a	b	b1	D	f	G	h ± 1	SW	
250	17	51.5 ¹⁾	83.5 ¹⁾	250	50	G ½ B	165	22	3.0

Process connection per EN 837-1 / 7.3
 1) Plus 13 mm with scale ranges ≥ 100 bar

Ordering information

Model / Nominal size / Scale range / Connection size / Connection location / Options

© 2008 WIKA Alexander Wiegand SE & Co. KG, all rights reserved.
 The specifications given in this document represent the state of engineering at the time of publishing.
 We reserve the right to make modifications to the specifications and materials.



WIKAL
 WIKAL Alexander Wiegand SE & Co. KG
 Alexander-Wiegand-Straße 30
 63911 Klingenberg/Germany
 Tel. (+49) 9372/132-0
 Fax (+49) 9372/132-406
 E-mail info@wika.de
 www.wika.de