

Pressure gauge with spiral tube Model 116.15, back mount Direct drive version

WIKA data sheet PM 01.16

Applications

- For the measurement of static pressure with dry gaseous media that will not attack copper alloy parts
- Indication of cylinder charging pressure
- Welding engineering
- Medical engineering

Special features

- Very flat design
- Ideal for integration solutions
- Nominal size 36 and 41
- Scale ranges up to 0 ... 400 bar



Pressure gauge with spiral tube, model 116.15

Description

Nominal size in mm

36, 41

Accuracy class

2.5

Scale ranges

0 ... 160 to 0 ... 400 bar

Pressure limitation

Steady: 3/4 x full scale value
Short time: Full scale value

Permissible temperature

Ambient: -20 ... +60 °C
Medium: +60 °C maximum

Temperature effect

When the temperature of the measuring system deviates from the reference temperature (+20 °C):
max. $\pm 0.4\%$ /10 K of the span

Standard version

Process connection

Cu-alloy,
centre back mount (CBM)
G 1/8 B (male), 12 mm flats

Pressure element

Cu-alloy, spiral form

Dial

Plastic, white, black lettering

Pointer

Cu-alloy, black

Case

Stainless steel

Window

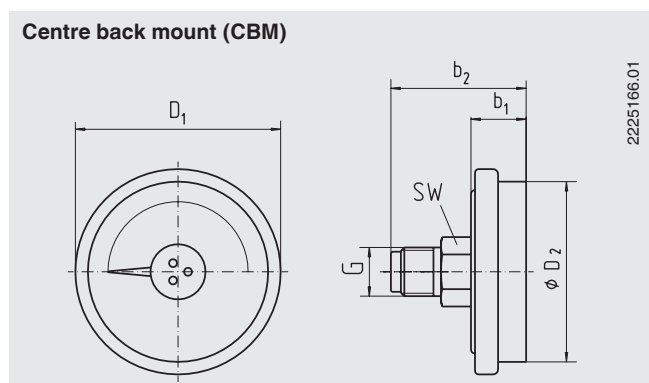
Polycarbonate

Options

- Other process connection
- Restrictor
- Protective rubber cap

Dimensions in mm

Standard version



NS	Dimensions in mm					Weight in kg	
	$b_1 \pm 0.5$	$b_2 \pm 1$	D_1	D_2	G	SW	
36	11	27	36	31	G 1/8 B	12	0.021
41	11	27	41	36	G 1/8 B	12	0.024

Process connection per EN 837-1 / 7.3

Ordering information

Model / Nominal size / Scale range / Connection size / Options

© 2009 WIKA Alexander Wiegand SE & Co. KG, all rights reserved.
The specifications given in this document represent the state of engineering at the time of publishing.
We reserve the right to make modifications to the specifications and materials.



WIKAL Alexander Wiegand SE & Co. KG
Alexander-Wiegand-Straße 30
63911 Klingenberg/Germany
Tel. (+49) 9372/132-0
Fax (+49) 9372/132-406
E-mail info@wika.de
www.wika.de