

# Bourdon Tube Pressure Gauges Model 111.26, Back Mount Panel Mounting Series with Lateral Clips

WIKA Data Sheet PM 01.15

## Applications

- For gaseous and liquid media that are not highly viscous or crystallising and will not attack copper alloy parts
- Especially for "snap-in" panel mounting
- Pneumatics
- Drink dispensers

## Special Features

- Reliable and cost-effective
- Design per EN 837-1
- Nominal size 40, 50, 63, 80
- Scale ranges up to 0 ... 400 bar



Bourdon Tube Pressure Gauge Model 111.26

## Description

**Design**  
EN 837-1

**Nominal size in mm**  
40, 50, 63, 80

**Accuracy class**  
2.5

**Scale ranges**  
0 ... 2.5 to 0 ... 400 bar  
or all other equivalent vacuum or combined pressure and vacuum ranges

### Pressure limitation

Steady: 3/4 x full scale value  
Fluctuating: 2/3 x full scale value  
Short time: full scale value

### Operating temperature

Ambient: -40 ... +60 °C  
Medium: +60 °C maximum

### Temperature effect

When the temperature of the measuring system deviates from the reference temperature (+20 °C):  
max.  $\pm 0.4\%$ /10 K of the span

## Standard version

### Process connection

Cu-alloy,  
centre back mount (CBM)  
NS 40: G 1/8 B (male), 14 mm flats  
NS 50, 63, 80: G 1/4 B (male), 14 mm flats

### Pressure element

Cu-alloy,  
≤ 60 bar: C-type  
> 60 bar: helical type

### Movement

Cu-alloy

### Dial

With pointer stop pin, black lettering  
NS 40, 50, 63: Plastic, white  
NS 80: Aluminium, white

### Pointer

Plastic, black

### Case

Plastic, black, with spring clips

### Window

Plastic, crystal-clear, snap-fit in case

### Bezel ring

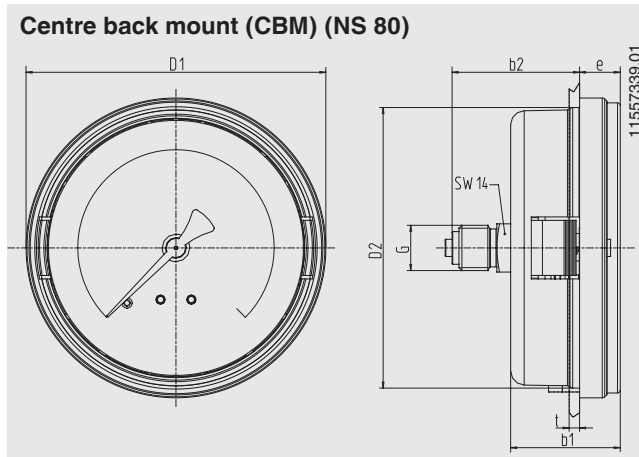
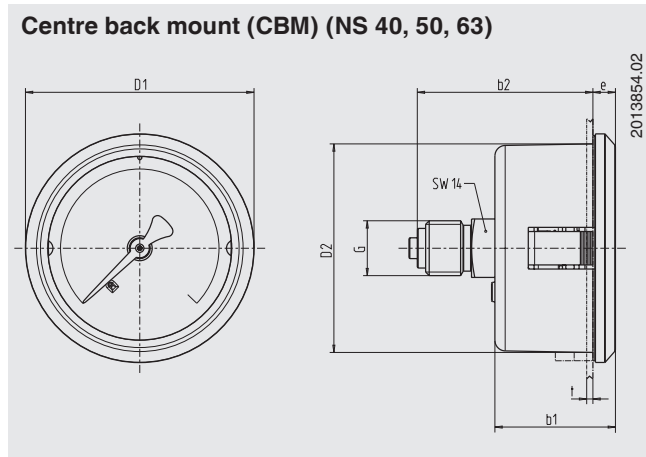
NS 40, 50, 63: Front bezel, plastic, black  
NS 80: without ring

## Options

- Other process connection
- Accuracy class 1.6
- Triangular bezel, chrome plated (NS 40, 50, 63)

## Dimensions in mm

### Standard version



NS	Dimensions in mm							Weight in kg			
	b1 ± 0.5	b2 ± 1	D1	D2	G	SW	e	Panel cutout Ø	thickness tmin	thickness tmax	
40	29	39	44	40	G 1/8 B	14	5.5	40.5	1.0	2.5	0.06
50	29	42	55	50	G 1/4 B	14	5.5	50.5	1.0	2.5	0.07
63	29	42	68	63	G 1/4 B	14	5.5	63.5	1.0	2.5	0.08
80	32	37	87	81.5	G 1/4 B	14	12	82	1.5	3.5	0.12

Process connection per EN 837-1 / 7.3

### Ordering information

Model / Nominal size / Scale range / Connection size / Options

The specifications given in this document represent the state of engineering at the time of publishing. We reserve the right to make modifications to the specifications and materials.

