

Bourdon tube pressure gauge Model 111.12, back mount Standard version

WIKA data sheet PM 01.09

Applications

- For gaseous and liquid media that are not highly viscous or crystallising and will not attack copper alloy parts
- Pneumatics
- Heating and air-conditioning technology
- Small-capacity compressors
- Medical engineering

Special features

- Reliable and cost-effective
- Design per EN 837-1
- Nominal size 40, 50, 63, 80 and 100
- Scale ranges up to 0 ... 400 bar



Bourdon tube pressure gauge model 111.12

Description

Design
EN 837-1

Nominal size in mm
40, 50, 63, 80 and 100

Accuracy class
2.5

Scale ranges
0 ... 0.6 to 0 ... 400 bar
or all other equivalent vacuum or combined pressure and vacuum ranges

Pressure limitation
Steady: 3/4 x full scale value
Fluctuating: 2/3 x full scale value
Short time: Full scale value

Permissible temperature

Ambient: -40 ... +60 °C
Medium: +60 °C maximum

Temperature effect

When the temperature of the measuring system deviates from the reference temperature (+20 °C): max. ±0.4 %/10 K of the span

Standard version

Process connection

Cu-alloy,
centre back mount (CBM)
NS 40: G 1/8 B (male), 14 mm flats
NS 50, 63: G 1/4 B (male), 14 mm flats
NS 80, 100: G 1/4 B (male), 14 mm flats

Pressure element

Cu-alloy,
≤ 60 bar: C-type
> 60 bar: Helical type

Movement

Cu-alloy

Dial

NS 40, 50, 63: Plastic, white, with pointer stop pin
NS 80, 100: Aluminium, white, with pointer stop pin
Black lettering

Pointer

Plastic, black

Case

Plastic, black
NS 100: Steel, black

Window

Plastic, crystal-clear, snap-fitted in case

Options

- Accuracy class 1.6
- Case steel, black
- Triangular bezel with mounting bracket

Special versions

For closed heating systems

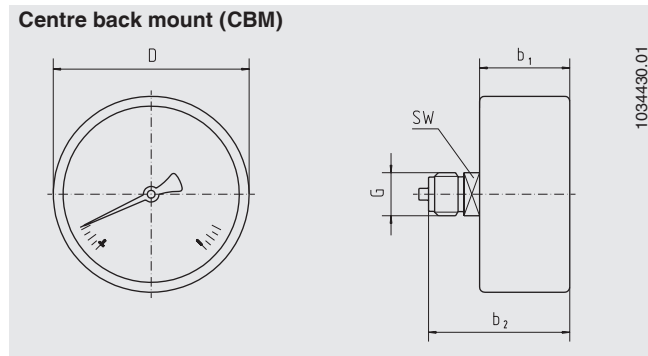
NS 63, 80
with red mark pointer and adjustable green sector,
scale range 0 ... 4 bar, red mark at 2.5 or 3 bar

For water-level indication (hydrometer)

NS 80
Scale ranges 0 ... 0.6 to 0 ... 40 bar, with second scale in mWS

Dimensions in mm

Standard version



NS	Dimensions in mm		D	G	SW	Weight in kg
	b1 ± 0.5	b2 ± 1				
40	26	42	39	G 1/8 B	14	0.06
50	29.5	47.5	49	G 1/4 B	14	0.07
63	29	47	62	G 1/4 B	14	0.08
80	32	49	79	G 1/4 B	14	0.11
100	31	49	99	G 1/4 B	14	0.26

Process connection per EN 837-1 / 7.3

Ordering information

Model / Nominal size / Scale range / Connection size / Options

© 2005 WIKA Alexander Wiegand SE & Co. KG, all rights reserved.
The specifications given in this document represent the state of engineering at the time of publishing.
We reserve the right to make modifications to the specifications and materials.



WIKAL Alexander Wiegand SE & Co. KG
Alexander-Wiegand-Straße 30
63911 Klingenberg/Germany
Tel. (+49) 9372/132-0
Fax (+49) 9372/132-406
E-mail info@wika.de
www.wika.de