

# Bourdon tube pressure gauge Model 111.11, welding gauge to ISO 5171

WIKA data sheet PM 01.03

## Applications

- For equipment and plants for welding, cutting and allied processes

## Special features

- Design per ISO 5171
- Pressure relief in case back
- Reliable and cost-effective



Bourdon tube pressure gauge model 111.11

## Description

### Design

ISO 5171

### Nominal size in mm

40, 50, 63

### Accuracy class

2.5

### Scale ranges

Welding engineering standard ranges for oxygen and acetylene to ISO 5171, as well as 0 ... 1 to 0 ... 400 bar to EN 837-1 /5 or all other equivalent vacuum or combined pressure and vacuum ranges

### Pressure limitation

Steady: 3/4 x full scale value

Fluctuating: 2/3 x full scale value

Short time: Full scale value

### Permissible temperature

Ambient: -40 ... +60 °C

Medium: +60 °C maximum

### Temperature effect

When the temperature of the measuring system deviates from the reference temperature (+20 °C): max.  $\pm 0.4 \%$ /10 K of the span

## Standard version

### Process connection

Cu-alloy, male thread lower mount (LM), with restrictor (EN 837-1 / 7.3)

NS 40 G 1/8 B, 14 mm flats

NS 50, 63 G 1/4 B, 14 mm flats

### Pressure element

Cu-alloy (with acetylene, max. 70 % copper content),

≤ 60 bar: C-type

> 60 bar: Helical type

### Movement

Cu-alloy

### Dial

Plastic, white, with pointer stop pin

Black lettering

### Pointer

Plastic, black

### Case

Steel, brass-coloured, with pressure relief in case back

### Window

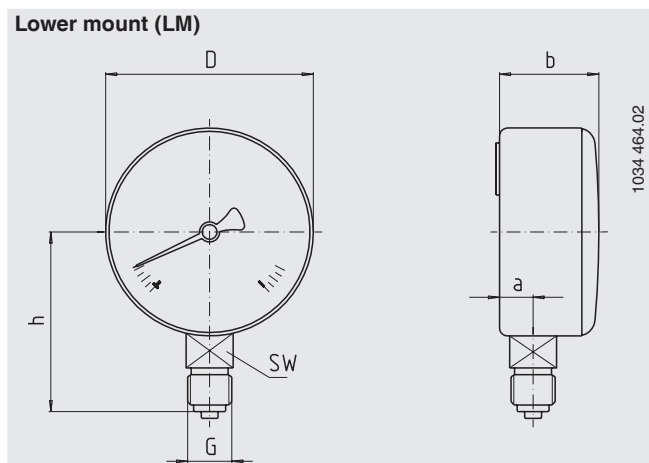
Polycarbonate, snap-fitted in case

## Options

- Case brass or stainless steel
- Slip-on bezel
- Back mount (BM)
- Acetylene pressure gauge for pressure regulators for manifold systems per ISO 7291 (BAM tested)

## Dimensions in mm

### Standard version



NS	Dimensions in mm			G	h ± 1	SW	Weight in kg
	a	b	D				
40	9.5	26	39	G 1/8 B	36	14	0.09
50	9.5	28	49	G 1/4 B	45	14	0.11
63	9.5	28	62	G 1/4 B	53.5	14	0.15

Process connection per EN 837-1 / 7.3

## Ordering information

Model / Nominal size / Scale range / Connection size / Options

© 2010 WIKA Alexander Wiegand SE & Co. KG, all rights reserved.

The specifications given in this document represent the state of engineering at the time of publishing.

We reserve the right to make modifications to the specifications and materials.

